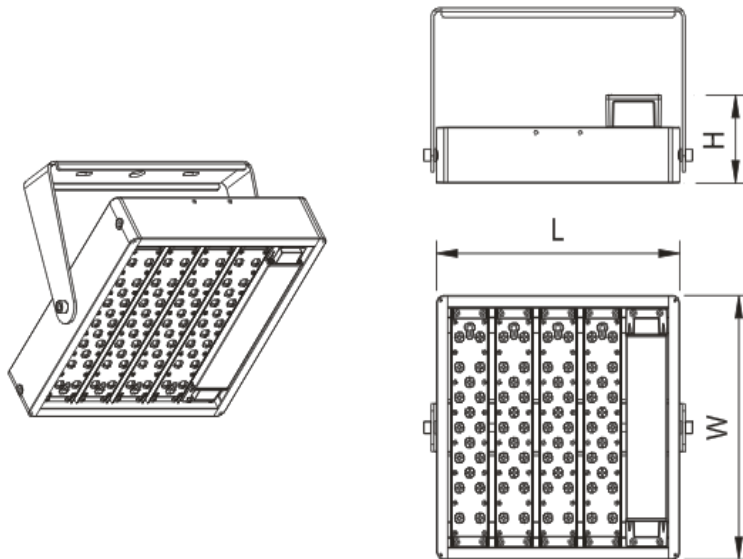


# Cool Fin LED Hybrid series LED Floodlight



Drawings herein for CFHBMHB120-U are used as Examples for all the models

## Main specifications:

Model No.	Nominal Wattage	Dimensions (L x W x H)	Weight	Working Environment	IP
CFHBMHB30	30w	210 mm ( 8.3" ) x 330 mm ( 13.0" ) x 110 mm ( 4.3" )	5 kg ( 10.93 lbs. )	-40 °C — +50 °C	IP67
CFHBMHB 60	60w	210 mm ( 8.3" ) x 330 mm ( 13.0" ) x 110 mm ( 4.3" )	5 kg ( 10.93 lbs. )	-40 °C — +50 °C	IP67
CFHBMHB 90	90w	270 mm ( 8.3" ) x 330 mm ( 13.0" ) x 110 mm ( 4.3" )	6.1 kg ( 13.42 lbs. )	-40 °C — +50 °C	IP67
CFHBMHB 120	120w	330 mm ( 8.3" ) x 330 mm ( 13.0" ) x 110 mm ( 4.3" )	7 kg ( 15.42 lbs. )	-40 °C — +50 °C	IP67
CFHBMHB 150	150w	390 mm ( 8.3" ) x 330 mm ( 13.0" ) x 110 mm ( 4.3" )	7.7 kg ( 17.03 lbs. )	-40 °C — +50 °C	IP67
CFHBMHB 180	180w	510 mm ( 8.3" ) x 330 mm ( 13.0" ) x 110 mm ( 4.3" )	10 kg ( 22.29 lbs. )	-40 °C — +50 °C	IP67
CFHBMHB 210	210w	570 mm ( 8.3" ) x 330 mm ( 13.0" ) x 110 mm ( 4.3" )	11 kg ( 24.11 lbs. )	-40 °C — +50 °C	IP67
CFHBMHB 240	240w	630 mm ( 8.3" ) x 330 mm ( 13.0" ) x 110 mm ( 4.3" )	12 kg ( 26.91 lbs. )	-40 °C — +50 °C	IP67
CFHBMHB 270	270w	690 mm ( 8.3" ) x 330 mm ( 13.0" ) x 110 mm ( 4.3" )	13 kg ( 28.56 lbs. )	-40 °C — +50 °C	IP67
CFHBMHB 300	300w	750 mm ( 8.3" ) x 330 mm ( 13.0" ) x 110 mm ( 4.3" )	14 kg ( 30.1 lbs. )	-40 °C — +50 °C	IP67

Input Voltage: 120 to 277V~ 50/60Hz

The ingress protection of the fixture is IP67 if the mains supply cable's specification is H07RN-F 3\*1.5mm<sup>2</sup>.

**PLEASE READ THESE INSTRUCTIONS CAREFULLY BEFORE INSTALLATION  
LEAVE A COPY FOR THE USER / MAINTENANCE ENGINEER FOR FUTURE REFERENCE**

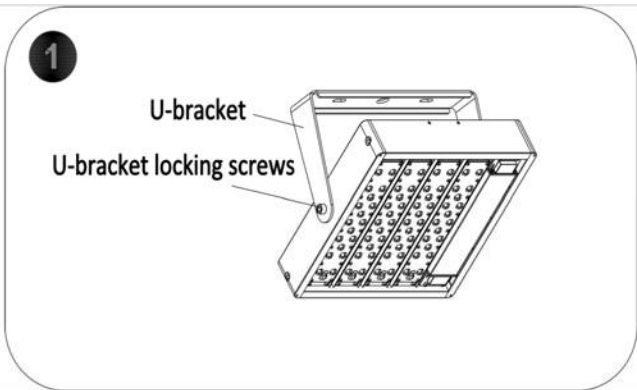
### IMPORTANT INSTALLATION INFORMATION

- Before commencing installation or maintenance, ensure electricity is switched off at the mains. Installation or maintenance should be carried out by a qualified electrician.
- The luminaire must not, under any circumstances, be installed directly to flammable materials, and luminaires must not be covered with any flammable materials.
- Ensure there is adequate free air circulation of at least 50cm around the luminaire. All luminaires run hot. It is the installer's responsibility to consider fire risk and take appropriate precautions.

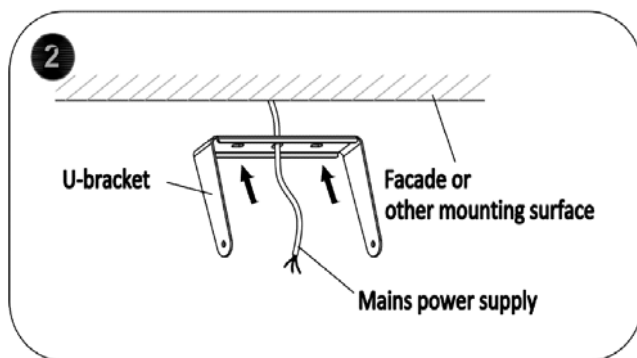
The installation instruction is subject to change without prior notice.

# Cool Fin LED Hybrid series LED Floodlight

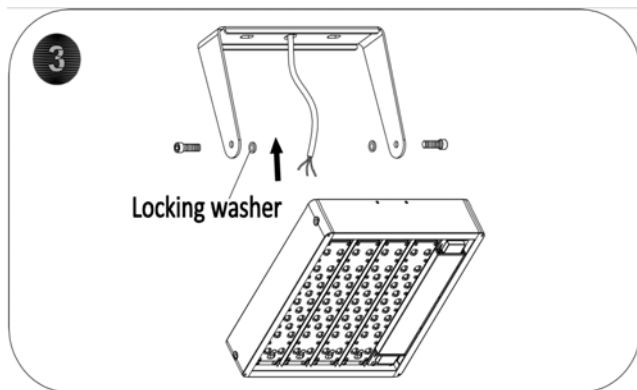
## INSTALLATION INSTRUCTION



**STEP 1:** Unscrew screws from the yoke mounting bracket from the light body, and remove the yoke mounting bracket (herein after referred to U -bracket). **See Figure 1.**

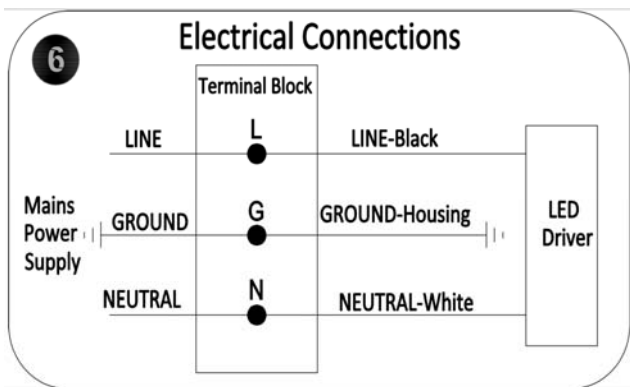
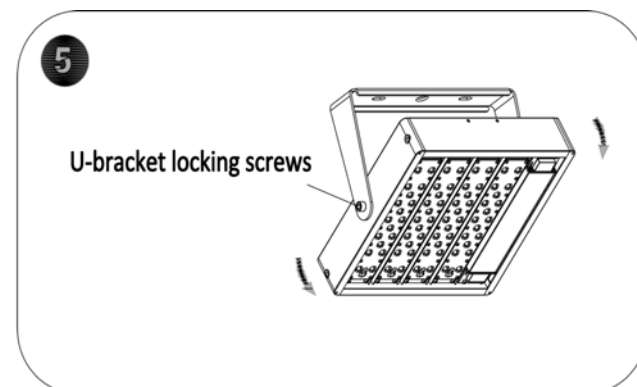
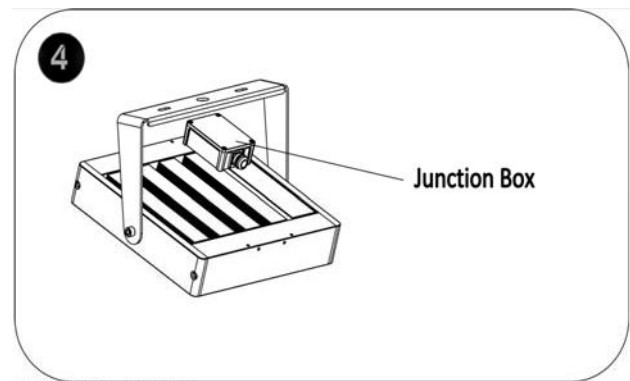


**STEP 2:** Get the mains power supply cord through wiring hole on U bracket, then fix U bracket to façade or other location using swelling bolts or other screws. **See Figure 2.**



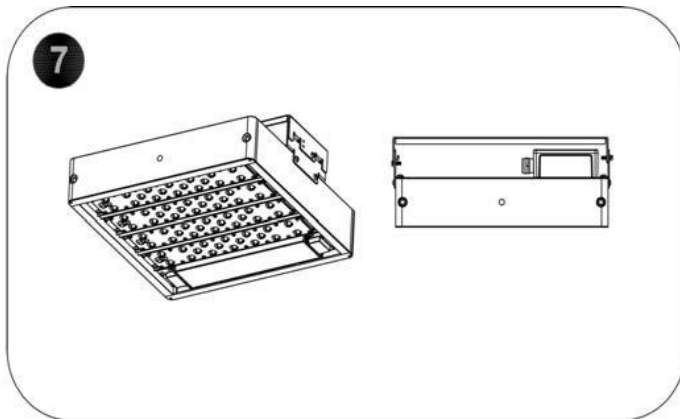
**STEP 3:** Fit light body into the hooks of U-bracket, and make sure the locking washers must be located between U bracket the

**STEP 4:** Tighten the screws slightly, rotate the Light body and make it easier for wiring, then connect mains power supply to the power cord of light body, **See Figure 4.** For more details about wiring, please refer to the wiring instruction to compete wiring, **see Figure 6.**

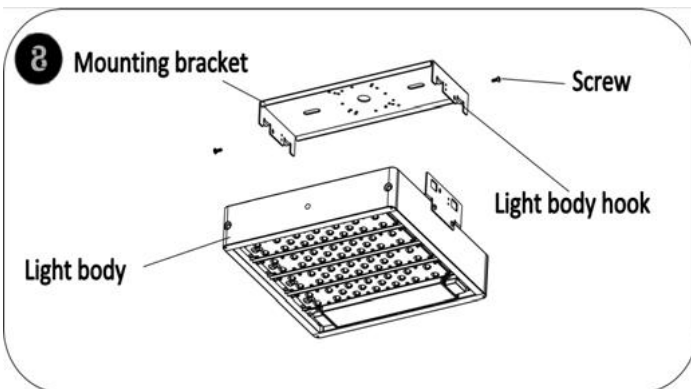


**STEP 5:** Loosen the screws on both sides of U bracket, rotate the light body to a specific aiming direction for illumination, finally lock the screws at 45 N.m torque to complete installation.

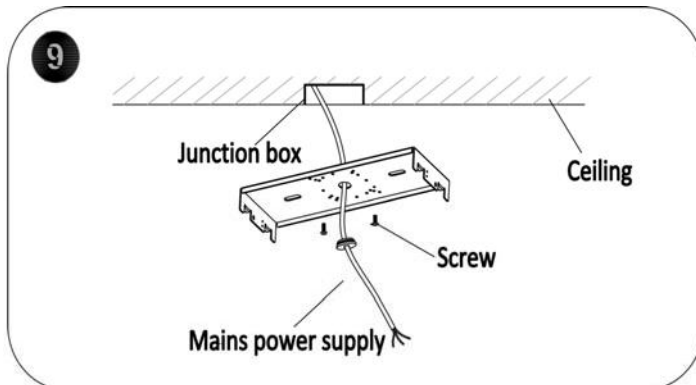
## Cool Fin LED Hybrid series LED Floodlight



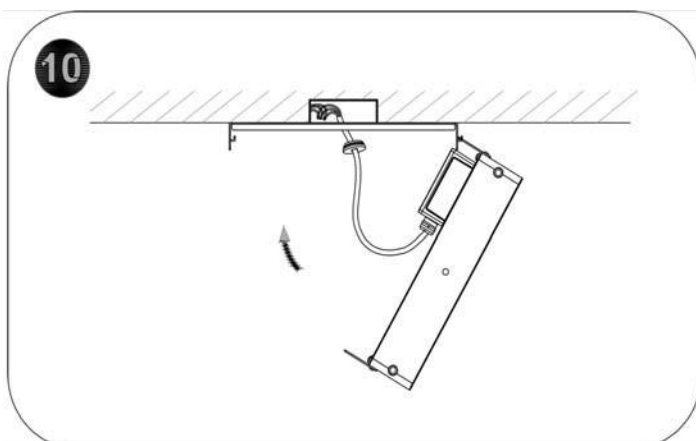
**OPTIONAL MOUNTING:** See Figure 7.



**STEP 1:** Remove mounting bracket from Light body by loosening the screws on both sides of the brackets (**See Figure 8**).



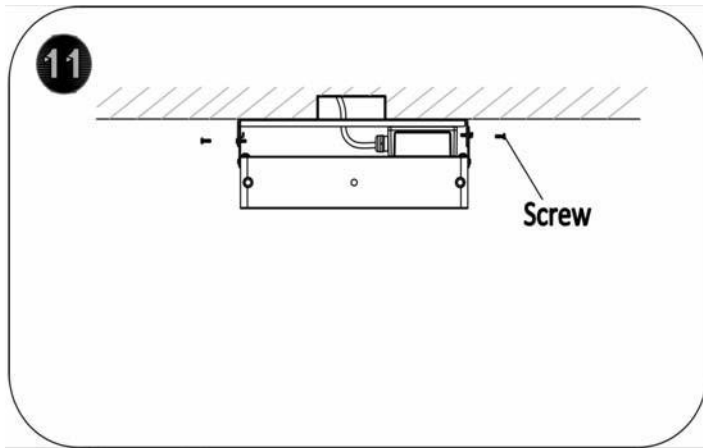
**STEP 2:** Get mains power supply cord through wiring hole on the mounting bracket, and fix the mounting bracket to ceiling or the junction box in ceiling using swelling bolt or screw. (**See figure 9**)



**STEP 3:** If there is a junction box in ceiling, hang light body to mounting bracket using the hook on one side of light head. Refer to wiring diagram (**see Figure 6**), connect mains power supply to power cord at light body side using a terminal block, push the connected wires back to junction box, then insert silicone rubber nuts into wiring hole properly (**see Figure 10**),

If there is no junction box in ceiling, hang light body to mounting bracket using the hook on one side of light body. Refer to wiring diagram (**see Figure 6**), use external junction box to connect main power supply to the power cord at light body side

## Cool Fin LED Hybrid series LED Floodlight



**STEP 4:** Push the hook on the other side of light body to the mounting bracket, and fix light body to mounting bracket using locking screws to complete installation (see Figure 11).

### WIRING INSTRUCTIONS

#### \*\*\*IF THERE IS JUNCTION BOX IN CEILING:

**STEP 1:** Connect the LINE wire in the mains power supply cord to black LINE wire from light body via a terminal block.

**STEP 2:** Connect the NEUTRAL wire in the mains power supply cord to white NEUTRAL wire from light body via a terminal block.

**STEP 3:** Connect the green grounding wire in the mains power supply cord to green grounding wire from light body via a terminal block.

**STEP 4:** Push back the connected wires into junction box.

#### \*\*\*EXTERNAL JUNCTION BOX:

**STEP 1:** Open the lid of the external junction box.

**STEP 2:** Connect the LINE wire in the mains power supply cord to the L marked hole in the terminal block from the external junction box, and tighten the connection properly.

**STEP 3:** Connect the NEUTRAL wire in the mains power supply cord to the N marked hole in the terminal block from the external junction box, and tighten the connection properly.

**STEP 4:** Connect the YELLOW/GREEN GROUNDING wire in the mains power supply cord to the G marked hole in the terminal block from the external junction box, and tighten the connection properly.

**STEP 5:** Close the junction box, and fasten the screws to fix the lid to the junction box body.